

# Even Feeder Conveyor (Series 4500)

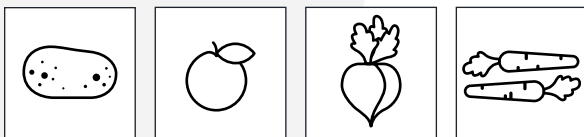
Consistent, Precise Wet Product Metering



The Even Feeder Conveyor (Series 4500) efficiently and consistently meters and feeds wet product into your downstream processing line – optimizing production rates and slicer performance. A five-sided corner hopper, elevated conveyor and effective belt spacing ensure product evenly flows from the hopper, spreads in a single layer across the full width of the conveyor then evenly feeds into processing equipment. The final rinse spray bar ensures wet product, no product cling and consistent transfer – not to mention, provides makeup water to the tank. Its strong, stainless steel construction and sanitary design ensure long-life and fast, thorough cleaning.

- Standard hourly flow rates from 600 to 5,000 pounds (270-2275 kg). Higher rates available based on conveyor width.
- Unique design with five-sided corners and round hopper outlet ensures consistent product flow
- Metering of wet product
- First-in, first-out product flow and completely emptying hopper prevents contamination and spoilage
- Sanitary design with rounded and sloped surfaces and non-lube lower pulley eliminates contamination and allows for quick and thorough cleaning

## Common Food Applications

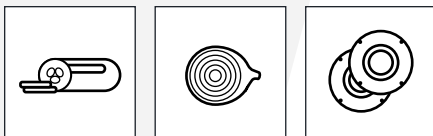


Potatoes

Apples

Beets

Carrots



Cucumbers

Onions

Root Vegetables

# Even Feeder Conveyor (Series 4500)

## Specifications

Discharge Height:  
variable per application

Hopper: 7 cu. ft. standard

Electrical: 230-460 VAC, 60 Hz,  
3 Phase (other voltages available)

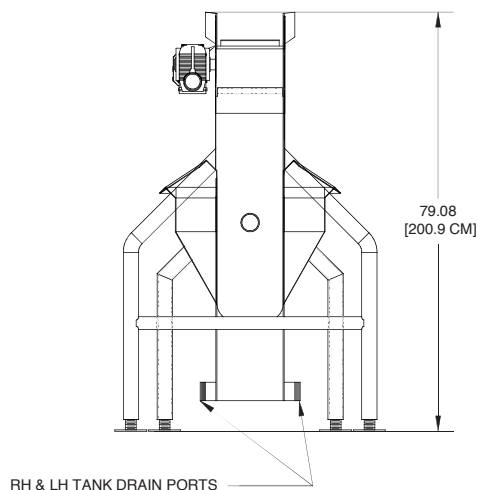
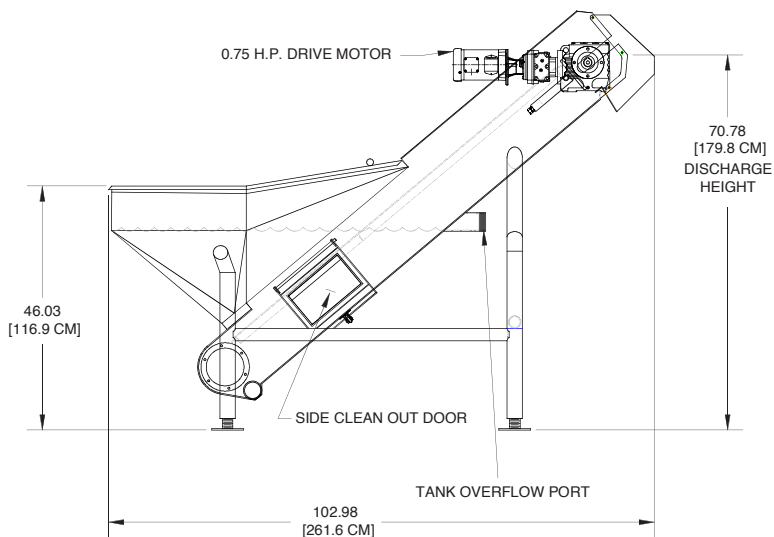
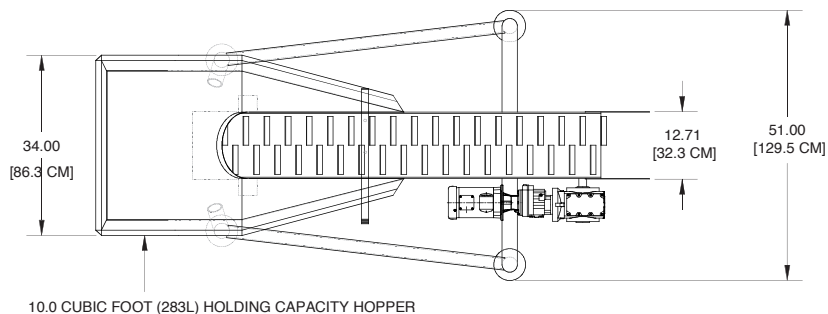
Control: 115 VAC, 1 Phase, 3 amps

Motor: 0.5 HP (.37 kW)

Weight: 1200 lbs. (545 kg)

## Features

- Variety of discharge chutes available



E 8.17v4

## Contact Us

Vanmark is proud to provide top quality equipment, exceptional service and peace of mind worldwide for the potato and produce processing industries. Contact us for more information and to custom-fit the Even Feeder Conveyor (Series 4500) for your specific application.



*To feed our growing world - Together*

Phone: +1 740-201-0004

Email: [sales@vanmark.com](mailto:sales@vanmark.com)

[vanmark.com](http://vanmark.com)