

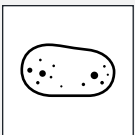
# Hydrolift

Elevated Product Transfer in a Compact Footprint

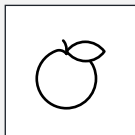
The space-saving Hydrolift elevates high volume of product, transferring it to the next step in your process. The vertical auger flawlessly lifts the product to the discharge point height of your choosing. Its heavy-duty operation, sanitary options and compact footprint make the Hydrolift an essential piece of equipment to transfer your products.

- Discharge rates from 25,000 to 50,000 pounds per hour, depending on model
- Elevate a wide range of products to the next step in your process
- Vertical auger design provides a compact footprint
- Sanitary design with optional auger door allows for quick and thorough cleaning

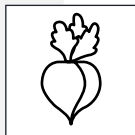
## Common Food Applications



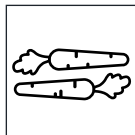
Potatoes



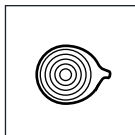
Apples



Beets

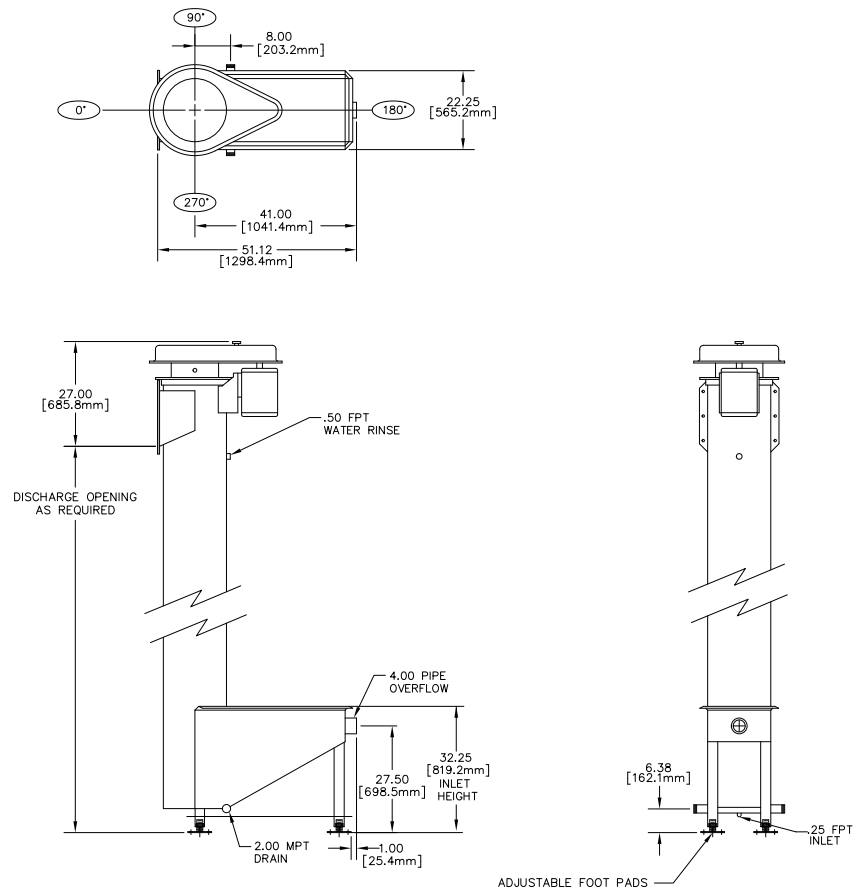


Carrots



Onions

# Hydrolift



## Specifications

Discharge Height: 72-336" (1.8-8.5 m)

Motor: 2-3 HP, 230-460 VAC, 3 Phase  
(other voltages available)

Weight: 1500-2200 lbs

## Features

- 304 stainless steel construction

## Options

- Tank and Auger Cleanout Doors

E 8.17v4

## Contact Us

Vanmark is proud to provide top quality equipment, exceptional service and peace of mind worldwide for the potato and produce processing industries. Contact us for more information and to custom-fit the Hydrolift for your specific application.



To feed our growing world - Together

Phone: +1 740-201-0004

Email: [sales@vanmark.com](mailto:sales@vanmark.com)

[vanmark.com](http://vanmark.com)