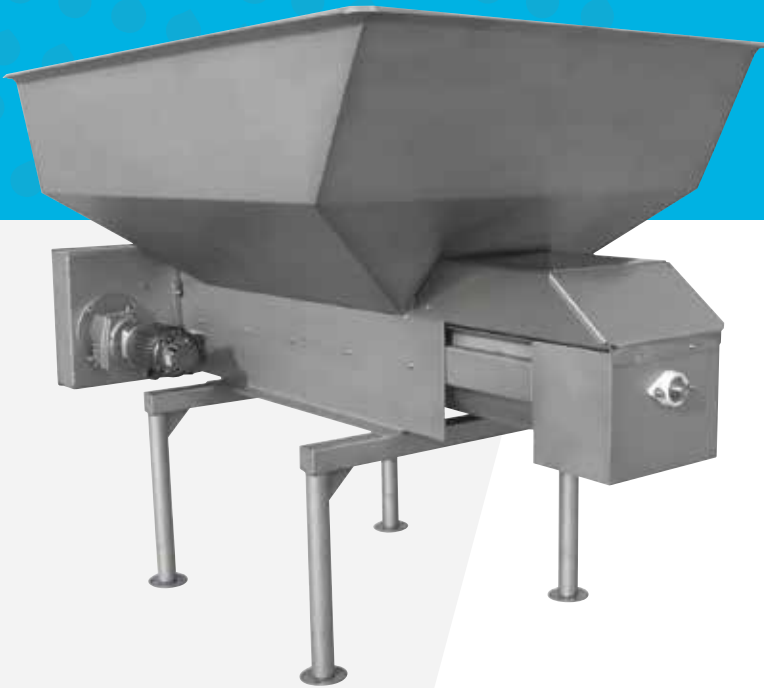


Metering Hopper

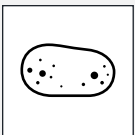
Control Line Flow Rates with Smooth Product Transfer and Accurate Metering



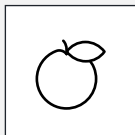
The Metering Hopper is an ideal in-process storage solution, controlling processing line flow through its accurate, constant metering. Product is received from a crate dumper or conveyor in any direction, gently stored then accurately metered to the processing line via an auger, flat belt or rodded belt discharge. The Metering Hopper is designed to promote smooth transfer through the entire process, minimizing product damage. It can be tailored to your operation with its wide flow rate range, intake and discharge options and multiple available hopper capacities.

- Flow rate from 3,000-30,000 pounds per hour (lower rates available)
- Receives product from a crate dumper or conveyor, stores it in-line then discharges it at your specific flow rate to the processing line
- Minimize product damage with unique support baffle within the hopper
- Sanitary design minimizes debris build up and allows for quick and thorough cleaning

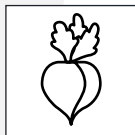
Common Food Applications



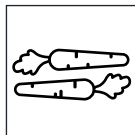
Potatoes



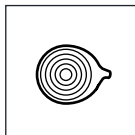
Apples



Beets

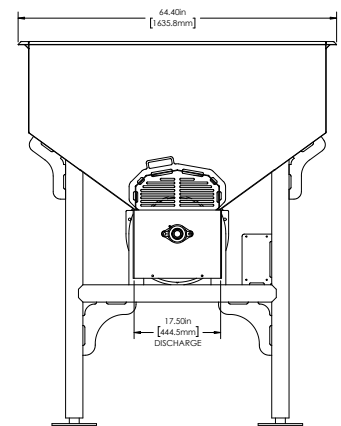
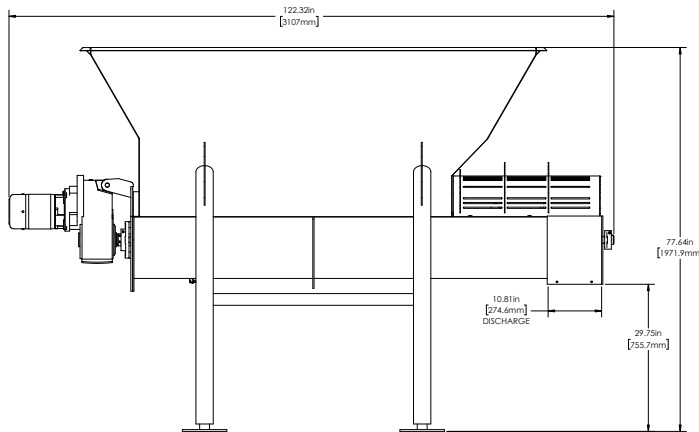
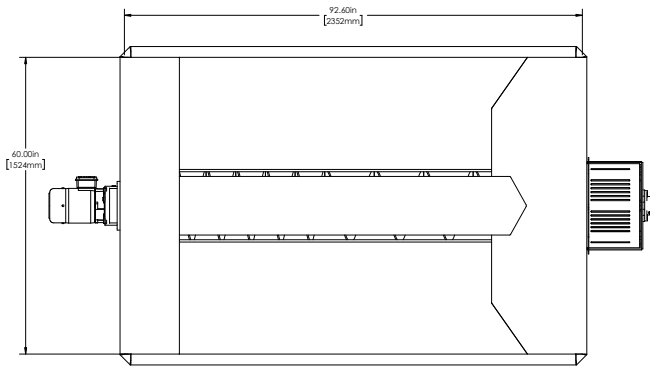


Carrots



Onions

Metering Hopper



Specifications

Hopper Capacity: 85 cu. ft. standard (larger available)

Motor: 1-2 HP, 230-460 VAC, 3 Phase (others available)

Weight: 1800 lbs. (816 kg)

Features

- Auger (15"), flat belt or rodded belt (12") discharge available

Options

- Available Models:
 - 1505 Series – Auger Discharge
 - 1515 Series – Flat Belt Discharge
 - 1525 Series – Rodded Belt Discharge

E 8.17v5

Contact Us

Vanmark is proud to provide top quality equipment, exceptional service and peace of mind worldwide for the potato and produce processing industries. Contact us for more information and to custom-fit the Metering Hopper for your specific application.



To feed our growing world - Together

Phone: +1 740-201-0004

Email: sales@vanmark.com

vanmark.com